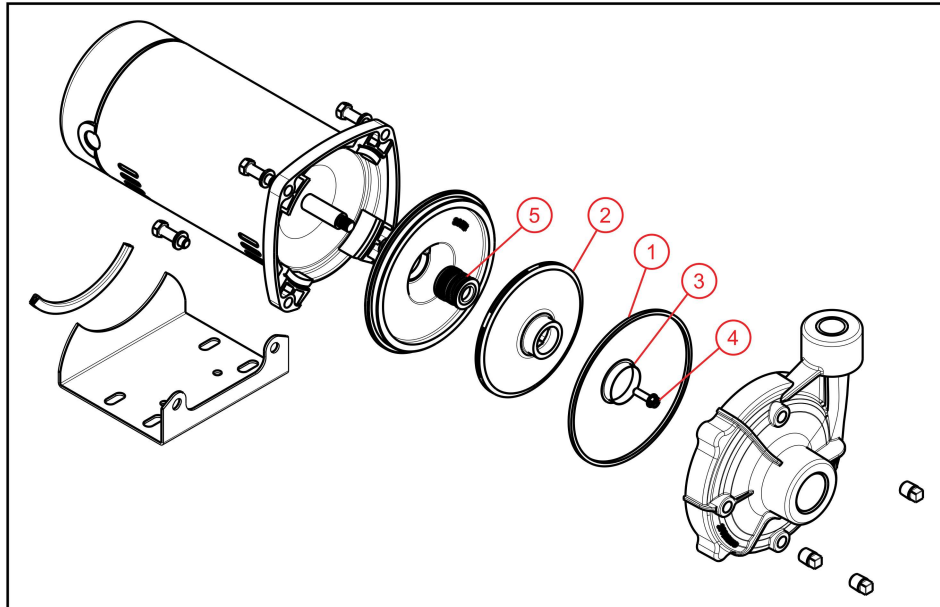


Replacement Parts Motor Table

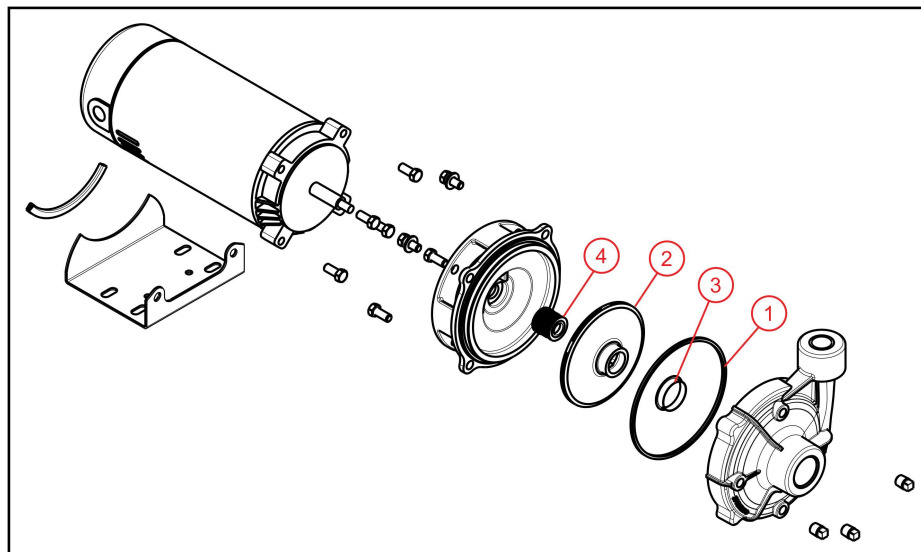
Frame	HP	S.F.
48Y	0.5	1.90
	0.75	1.65
	1.0	1.65
	1.5	1.47
	2.0	1.30
56C, 56J	0.5	1.60
	0.75	1.50
	1.0	1.40
	1.5	1.30
	2.0	1.20

Squared Flange Models



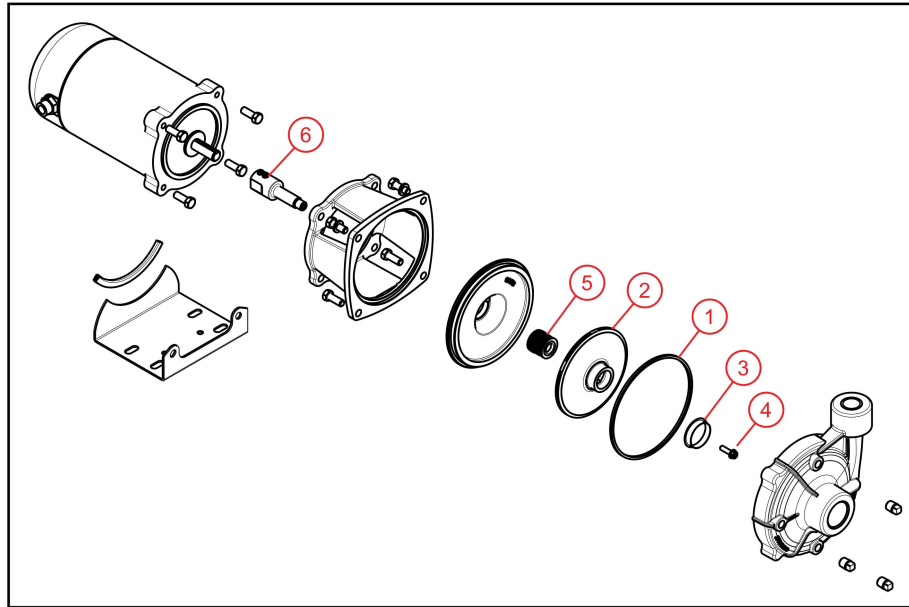
Item	Description	Order Number	Models
1	Volute Case Square Ring	305373907	All
2, 3	Impeller and Wear Ring 3/4 HP	305617107	DR1S-CP, DR1S-SP
	Impeller and Wear Ring 1 HP	305617108	
	Impeller and Wear Ring 1-1/2 HP	305617202	DR2S-CS
	Impeller and Wear Ring 2 HP	305617203	
4	Impeller Bolt 1/4-20-0.88 L.H. THD. 3-PH	305373910	All
5	Shaft Seal M/S 0.62 PHEN/CER x BUNA-SS	305421907	

56J Threaded Shaft Models



Item	Description	Order Number	Models
1	Volute Case Square Ring	305373908	All
2, 3	Impeller and Wear Ring 1/2 HP	305617109	DR1J-CS
	Impeller and Wear Ring 3/4 HP	305617110	
	Impeller and Wear Ring 1 HP	305617111	
	Impeller and Wear Ring 1-1/2 HP	305617205	DR2J-CS
	Impeller and Wear Ring 2 HP	305617206	
	Impeller and Wear Ring 2 HP	305617207	
4	Shaft Seal M/S .62 GL-SiC/GL-SiCxFKM-SS	305421004	All

56C Keyed Shaft Models



Item	Description	Order Number	Models
1	Square Ring	305373908	DR1C-SS, DR2C-CS
		305373907	DR1C-CP
2, 3	Impeller and Wear Ring 1/2 HP	305617115	DR1C-SS
		305617112	DR1C-CP
	Impeller and Wear Ring 3/4 HP	305617116	DR1C-SS
		305617113	DR1C-CP
	Impeller and Wear Ring 1 HP	305617117	DR1C-SS
		305617114	DR1C-CP
		305617202	DR2C-CS
Impeller and Wear Ring 1-1/2 HP	305617203		
Impeller and Wear Ring 2 HP	305617204		
4	Impeller Bolt 1/4-20-0.88 L.H. THD. 3-PH	305373910	All
5	Shaft Seal M/S .62 GL-SiC/GL-SiC x VITON-SS	305421004	DR1C-SS, DR2C-CS
	Shaft Seal M/S 0.62 PHEN/CER x BUNA-SS	305421907	DR1C-CP
6	Coupling SS (Includes Set Screws)	305373916	All